

Transformers

Open Core and Coil Transformers

Machine Tool and Control Power

Section 14

Description

Type IP transformers are core and coil units designed for machine tool, industrial control, panelboard, and general-purpose applications. These designs are now welded core and encapsulated to provide the highest quality electrical performance. The transformer coil is completely surrounded by epoxy, making the unit impervious to external elements. The lamination core is welded to provide superior quiet performance.

Several types of terminations are available to simplify installation. These include primary and secondary leads out, integral fuse, and spade-type terminals and our standard which is a touch proof terminal block. Consult your local GE Sales Office for complete technical applications data.

- Standards:** Type IP units conform to NEMA ST20. They are UL listed under UL-506, File E—2739, and C-UL listed.
- Insulation Classes:** Generally, 150 VA and below are 105°C insulation class, 55°C rise. 200 VA and above are 185°C (NEMA), 180°C (UL) insulation class, 115°C rise. Maximum surface temperature rise is 65°C above ambient.
- Frequency:** 60 Hertz is standard; 50 Hertz is available as an option.
- Voltage Regulation:** All designs 2.0 kVA and below are compensated for voltage drop. Generally, this compensation ranges from 10% in the smallest rating to 3% for the largest. All machine tool designs meet or exceed NMTBA regulation requirements.
- Series-Multiple Secondary Connections:** Transformers with 120/240 V secondaries (series-multiple) may be connected for 120 V, 240 V or 240/120 V three-wire. Jumpers are provided.
- Overcurrent Protection:** Type IP transformers are low impedance transformers that require overcurrent protection for most applications. They provide for optional integral primary and/or secondary fusing.
- Mounting Dimensions:** Type IP transformers are lightweight, small, and designed for minimum mounting dimensions. Many units will fit competitors mounting footprints.



Machine Tool

Machine Tool Applications: Single-Phase (9T58K)	
Product Tables	14-2
Control: Single-Phase (9T58K) Product Tables	14-3
Options and Fusing Guide	14-5
Machine Tool Applications: Wiring Diagrams	14-6
Outlines and Dimensions	14-7

CE-Rated

Product Tables (9T58E)	14-8
------------------------------	------

Dry-Type/Cased

Isolated, General Purpose, Single-Phase, (9T51B and 9T21B) Product Tables	14-9
Isolated, CE-Rated (9T51E) Product Tables	14-12
Dimensions and Weights	14-13
Wiring Diagrams	14-14



Transformers

Open Core and Coil Transformers

Machine Tool Applications

Single-Phase

Section 14

60 Hz Terminal Board Connection

Input Voltage	Output Voltage	KVA	Frame Size	Inrush VA @ .20 PF, 95% Sec. Volt	Wiring Diagram No. ¹	Product Number
220 x 440, 230 x 460, 240 x 480 Volts	110, 115, 120 Volts	0.05	6100	193	1	9T58K0042
220 x 440, 230 x 460, 240 x 480 Volts	110, 115, 120 Volts	0.075	6125	303	1	9T58K0043
220 x 440, 230 x 460, 240 x 480 Volts	110, 115, 120 Volts	0.1	8100	396	1	9T58K0044
220 x 440, 230 x 460, 240 x 480 Volts	110, 115, 120 Volts	0.15	8150	724	1	9T58K0045
220 x 440, 230 x 460, 240 x 480 Volts	110, 115, 120 Volts	0.2	8175	821	1	9T58K0046
220 x 440, 230 x 460, 240 x 480 Volts	110, 115, 120 Volts	0.25	8200	1034	1	9T58K0047
220 x 440, 230 x 460, 240 x 480 Volts	110, 115, 120 Volts	0.3	8250	1037	1	9T58K0048
220 x 440, 230 x 460, 240 x 480 Volts	110, 115, 120 Volts	0.375	8250	1441	1	9T58K0049
220 x 440, 230 x 460, 240 x 480 Volts	110, 115, 120 Volts	0.5	10225	2027	1	9T58K0050
220 x 440, 230 x 460, 240 x 480 Volts	110, 115, 120 Volts	0.75	12225	3092	1	9T58K0051
220 x 440, 230 x 460, 240 x 480 Volts	110, 115, 120 Volts	1	12300	4494	1	9T58K0052
220 x 440, 230 x 460, 240 x 480 Volts	110, 115, 120 Volts	1.5	14225	5156	1	9T58K0053
220 x 440, 230 x 460, 240 x 480 Volts	110, 115, 120 Volts	2	14300	9193	1	9T58K0054
220 x 440, 230 x 460, 240 x 480 Volts	110, 115, 120 Volts	3	14475	14513	1	9T58K0055

50/60 Hz Terminal Board Connection

Input Voltage	Output Voltage	KVA	Frame Size	Inrush VA @ .20 PF, 95% Sec. Volt	Wiring Diagram No. ¹	Product Number
230/460/575 Volts	115/95 Volts	0.05	6100	196	2	9T58K0062
230/460/575 Volts	115/95 Volts	0.075	8100	278	2	9T58K0063
230/460/575 Volts	115/95 Volts	0.1	8150	445	2	9T58K0064
230/460/575 Volts	115/95 Volts	0.15	8200	663	2	9T58K0065
230/460/575 Volts	115/95 Volts	0.2	8200	864	2	9T58K0066
230/460/575 Volts	115/95 Volts	0.25	8250	1137	2	9T58K0067
230/460/575 Volts	115/95 Volts	0.3	10225	1412	2	9T58K0068
230/460/575 Volts	115/95 Volts	0.375	10225	1670	2	9T58K0069
230/460/575 Volts	115/95 Volts	0.5	10225	1822	2	9T58K0070
230/460/575 Volts	115/95 Volts	0.75	12300	3524	2	9T58K0071
230/460/575 Volts	115/95 Volts	1	14225	4392	2	9T58K0072
230/460/575 Volts	115/95 Volts	1.5	14300	6753	2	9T58K0073
230/460/575 Volts	115/95 Volts	2	14475	11563	2	9T58K0074
208/277/380 Volts	115/95 Volts	0.05	6150	217	3	9T58K0082
208/277/380 Volts	115/95 Volts	0.075	8100	322	3	9T58K0083
208/277/380 Volts	115/95 Volts	0.1	8150	464	3	9T58K0084
208/277/380 Volts	115/95 Volts	0.15	8200	761	3	9T58K0085
208/277/380 Volts	115/95 Volts	0.2	8200	837	3	9T58K0086
208/277/380 Volts	115/95 Volts	0.25	8250	1198	3	9T58K0087
208/277/380 Volts	115/95 Volts	0.3	10225	1409	3	9T58K0088
208/277/380 Volts	115/95 Volts	0.375	10225	1674	3	9T58K0089
208/277/380 Volts	115/95 Volts	0.5	10225	1821	3	9T58K0090
208/277/380 Volts	115/95 Volts	0.75	12300	3771	3	9T58K0091
208/277/380 Volts	115/95 Volts	1	14225	4234	3	9T58K0092
208/277/380 Volts	115/95 Volts	1.5	14300	7091	3	9T58K0093
208/277/380 Volts	115/95 Volts	2	14475	11729	3	9T58K0094

¹See page 14-6 for wiring diagrams.

Factory- or Field-Installed Options

Secondary Fusing—Factory- or field-installed secondary fuse clips are available. They are restricted to units with terminal strips and a single secondary voltage or secondary with one tap.

Dual Primary and Secondary Fusing—Factory- or field-installed dual primary and secondary fusing is available on all units, including leads out and multiple secondary voltages.

Leads Out—Terminal strip is replaced by rugged primary and secondary leads emanating from the top of the encapsulated coil.



Transformers

Open Core and Coil Transformers

Control

Single-Phase

Section 14

60 Hz Terminal Board Connection

Input Voltage	Output Voltage	KVA	Frame Size	Wiring Diagram No. ²	Product Number
240 x 480 Volts	120/240 Volts	0.05	6100	4	9T58K2802
240 x 480 Volts	120/240 Volts	0.075	6125	4	9T58K2803
240 x 480 Volts	120/240 Volts	0.1	8100	4	9T58K2804
240 x 480 Volts	120/240 Volts	0.15	8150	4	9T58K2805
240 x 480 Volts	120/240 Volts	0.2	8175	4	9T58K2806
240 x 480 Volts	120/240 Volts	0.25	8200	4	9T58K2807
240 x 480 Volts	120/240 Volts	0.3	8200	4	9T58K2808
240 x 480 Volts	120/240 Volts	0.375	8250	4	9T58K2809
240 x 480 Volts	120/240 Volts	0.5	10225	4	9T58K2810
240 x 480 Volts	120/240 Volts	0.75	12225	4	9T58K2811
240 x 480 Volts	120/240 Volts	1	12300	4	9T58K2812
240 x 480 Volts	120/240 Volts	1.5	14225	4	9T58K2813
240 x 480 Volts	120/240 Volts	2	14300	4	9T58K2814
240 x 480 Volts	120/240 Volts	3	14475	4	9T58K2815
600 Volts	120/240 Volts	0.1	8100	5	9T58K2824
600 Volts	120/240 Volts	0.2	8175	5	9T58K2826
600 Volts	120/240 Volts	0.3	8200	5	9T58K2828
600 Volts	120/240 Volts	0.5	10225	5	9T58K2830
600 Volts	120/240 Volts	1	12300	5	9T58K2832
600 Volts	120/240 Volts	2	14300	5	9T58K2834
600 Volts	120/240 Volts	3	14475	5	9T58K2835
120 x 240 Volts	120/240 Volts	0.1	8100	6	9T58K2907
120 x 240 Volts	120/240 Volts	0.2	8175	6	9T58K2909
120 x 240 Volts	120/240 Volts	0.3	8200	6	9T58K2911
120 x 240 Volts	120/240 Volts	0.5	10225	6	9T58K2913
120 x 240 Volts	120/240 Volts	0.75	12225	6	9T58K2914
120 x 240 Volts	120/240 Volts	1	12300	6	9T58K2915
120 x 240 Volts	120/240 Volts	2	14300	6	9T58K2917
120 x 240 Volts	120/240 Volts	3	14475	6	9T58K2918

60 Hz Terminal Board Connection

Input Voltage	Output Voltage	KVA	Frame Size	Wiring Diagram No. ²	Product Number
120 x 240 Volts	12/24 Volts	0.05	6100	7	9T58K2873
120 x 240 Volts	12/24 Volts	0.075	6125	7	9T58K2874
120 x 240 Volts	12/24 Volts	0.1	8100	7	9T58K2875
120 x 240 Volts	12/24 Volts	0.15	8150	7	9T58K2876
120 x 240 Volts	12/24 Volts	0.2	8175	7	9T58K2877
120 x 240 Volts	12/24 Volts	0.25	8200	7	9T58K2878
120 x 240 Volts	12/24 Volts	0.3	8200	7	9T58K2879
240 x 480 Volts	12/24 Volts	0.05	6100	—	9T58K3164
240 x 480 Volts	12/24 Volts	0.1	8100	—	9T58K4132
240 x 480 Volts	12/24 Volts	0.15	8150	—	9T58K4133
240 x 480 Volts	12/24 Volts	0.25	8200	—	9T58K3024
208 x 240 Volts	12/24 Volts	0.05	6100	—	9T58K4050
208 x 240 Volts	12/24 Volts	0.1	8100	—	9T58K4051
208 x 240 Volts	12/24 Volts	0.15	8150	—	9T58K4052
208 x 240 Volts	12/24 Volts	0.25	8200	—	9T58K4053

60 Hz Leads Out Connection¹

Input Voltage	Output Voltage	KVA	Frame Size	Wiring Diagram No. ²	Product Number
240 x 480 Volts	120/240 Volts	0.05	6100	4	9T58K1802
240 x 480 Volts	120/240 Volts	0.075	6125	4	9T58K1803
240 x 480 Volts	120/240 Volts	0.1	8100	4	9T58K1804
240 x 480 Volts	120/240 Volts	0.15	8150	4	9T58K1805
240 x 480 Volts	120/240 Volts	0.2	8175	4	9T58K1806
240 x 480 Volts	120/240 Volts	0.25	8200	4	9T58K1807
240 x 480 Volts	120/240 Volts	0.3	8200	4	9T58K1808
240 x 480 Volts	120/240 Volts	0.375	8250	4	9T58K1809
240 x 480 Volts	120/240 Volts	0.5	10225	4	9T58K1810
240 x 480 Volts	120/240 Volts	0.75	12225	4	9T58K1811
240 x 480 Volts	120/240 Volts	1	12300	4	9T58K1812
240 x 480 Volts	120/240 Volts	1.5	14225	4	9T58K1813
240 x 480 Volts	120/240 Volts	2	14300	4	9T58K1814
240 x 480 Volts	120/240 Volts	3	14475	4	9T58K1815

¹Secondary fusing not available.

²See page 14-6 for wiring diagrams.



Transformers

Open Core and Coil Transformers

Control

Single-Phase

Section 14

60 Hz Leads Out Connection¹

Input Voltage	Output Voltage	KVA	Frame Size	Wiring Diagram No. ²	Product Number
600 Volts	120/240 Volts	0.1	8100	5	9T58K1824
600 Volts	120/240 Volts	0.2	8175	5	9T58K1826
600 Volts	120/240 Volts	0.3	8200	5	9T58K1828
600 Volts	120/240 Volts	0.5	10225	5	9T58K1830
600 Volts	120/240 Volts	1	12300	5	9T58K1832
600 Volts	120/240 Volts	2	14300	5	9T58K1834
600 Volts	120/240 Volts	3	14475	5	9T58K1835

¹Secondary fusing not available.

²See page 14-6 for wiring diagrams.

60 Hz Leads Out Connection¹

Input Voltage	Output Voltage	KVA	Frame Size	Wiring Diagram No. ²	Product Number
120 x 240 Volts	12/24 Volts	0.05	6100	7	9T58K1873
120 x 240 Volts	12/24 Volts	0.075	6125	7	9T58K1874
120 x 240 Volts	12/24 Volts	0.1	8100	7	9T58K1875
120 x 240 Volts	12/24 Volts	0.15	8150	7	9T58K1876
120 x 240 Volts	12/24 Volts	0.2	8175	7	9T58K1877
120 x 240 Volts	12/24 Volts	0.25	8200	7	9T58K1878
120 x 240 Volts	12/24 Volts	0.3	8200	7	9T58K1879
120 x 240 Volts	12/24 Volts	0.5	10225	7	9T58K1881

¹Secondary fusing not available.

²See page 14-6 for wiring diagrams.

50/60 Hz Terminal Board Connection

Input Voltage	Output Voltage	KVA	Frame Size	Wiring Diagram No. ²	Product Number
240 x 480 Volts	120/240 Volts	0.5	10225	4	9T58K2930
240 x 480 Volts	120/240 Volts	0.75	12300	4	9T58K2931
240 x 480 Volts	120/240 Volts	1	14225	4	9T58K2932
240 x 480 Volts	120/240 Volts	1.5	14300	4	9T58K2933
240 x 480 Volts	120/240 Volts	2	14475	4	9T58K2934
240 x 480 Volts	120/240 Volts	3	14475	4	9T58K2935
380/400/416 Volts	115/230 Volts	0.5	10225	8	9T58K2978
380/400/416 Volts	115/230 Volts	0.75	12300	8	9T58K2979
380/400/416 Volts	115/230 Volts	1	14225	8	9T58K2980
380/400/416 Volts	115/230 Volts	1.5	14300	8	9T58K2981
380/400/416 Volts	115/230 Volts	2	14475	8	9T58K2982
380/400/416 Volts	115/230 Volts	3	14475	8	9T58K2983

50/60 Hz Leads Out Connection¹

Input Voltage	Output Voltage	KVA	Frame Size	Wiring Diagram No. ²	Product Number
240 x 480 Volts	120/240 Volts	0.5	10225	4	9T58K1930
240 x 480 Volts	120/240 Volts	0.75	12300	4	9T58K1931
240 x 480 Volts	120/240 Volts	1.5	14300	4	9T58K1933
240 x 480 Volts	120/240 Volts	3	14475	4	9T58K1935
380/400/416 Volts	115/230 Volts	0.75	12300	8	9T58K1979
380/400/416 Volts	115/230 Volts	1	14225	8	9T58K1980
380/400/416 Volts	115/230 Volts	1.5	14300	8	9T58K1981

¹Secondary fusing not available.

²See page 14-6 for wiring diagrams.

50/60 Hz Universal Voltage/Multitap Terminal Strip Connection

KVA	Frame Size	Product Number
0.25	1016	9T58K3715
0.35	1016	9T58K3716
0.5	12225	9T58K3717
0.75	14225	9T58K3718
1	14225	9T58K3719
1.5	14300	9T58K3720
2	14475	9T58K3721

Voltage Table

Incoming Voltage					Output Voltage				
H1	H2	H1	H3	H1	H5	X1	X2	X1	X4
208					500	85	100	110	
				415		86	104	113	
220		380		440	550	91	110	120	
230		400		460	575	95	115	125	
240		416		480	600	99	120	130	



Transformers

Open Core and Coil Transformers

Options and Fusing Guide

Encapsulated Transformer Options

Accessory Type	Fuse Type	Product Number
Terminal Links (Standard Terminal Blocks)		9T58K0000G01
Fuse Clips Mounted on Terminals	Single 1/4" x 1 1/4" Glass Fuse	9T58K0000G09 ¹
Fuse Blocks Mounted on Top of Transformer	Dual 9/16" x 2" H/K Fuses	9T58K0000G05
Fuse Blocks Mounted on Top of Transformer	Single 9/16" x 2" H/K Fuses	9T58K0000G10
Fuse Blocks Mounted on Top of Transformer	Dual 13/32" x 1 1/2" Class CC Fuses with Single 9/16" x 2" H/K Fuse	9T58K0000G18
Fuse Blocks Mounted on Top of Transformer	Single 1/4" x 1 1/4" Glass Fuse	9T58K0000G24
Fuse Blocks Mounted on Top of Transformer	Dual 13/32" x 1 1/2" Class CC Fuses with Single 13/32" x 1 1/2" Midget Fuse	9T58K0000G38
Fuse Blocks Mounted on Top of Transformer	Single 13/32" x 1 1/2" Midget Fuse	9T58K0000G42
Fuse Blocks Mounted on Top of Transformer	Dual 13/32" x 1 1/2" Class CC Fuses with Single 1/4" x 1 1/4" Glass Fuse	9T58K0000G48

¹Use G24 when the transformer is a series multiple or multitapped winding with no open terminals.

Fuse Guide

Midget Class CC Rejection Fuse

Primary Voltage	Encapsulated Transformer Continuous Power Rating (VA)								
	50	75	100	150	200	250	300	375	500
Fuse Rating (Amperes)									
100	1.50	2.00	3.00	4.00	3.00	4.00	5.00	6.00	8.00
110	1.25	2.00	2.50	4.00	5.00	3.00	4.00	5.00	7.00
120	1.25	1.60	2.50	3.00	5.00	3.00	4.00	5.00	6.00
200	0.75	1.00	1.50	2.00	3.00	3.00	4.00	5.00	4.00
208	0.60	1.00	1.25	2.00	2.50	3.00	4.00	5.00	4.00
220	0.60	1.00	1.25	2.00	2.50	3.00	4.00	5.00	3.00
230	0.60	0.80	1.25	1.60	2.50	3.00	3.00	4.00	3.00
240	0.60	0.80	1.25	1.60	2.50	3.00	3.00	4.00	3.00
277	0.50	0.80	1.00	1.60	2.00	2.50	3.00	4.00	5.00
380	0.30	0.50	0.75	1.00	1.50	1.60	2.00	2.50	3.00
400	0.30	0.50	0.75	1.00	1.50	1.60	2.00	2.50	3.00
416	0.30	0.50	0.60	1.00	1.25	1.60	2.00	2.50	3.00
440	0.30	0.50	0.60	1.00	1.25	1.60	2.00	2.50	3.00
460	0.30	0.40	0.60	0.80	1.25	1.60	1.60	2.00	3.00
480	0.30	0.40	0.60	0.80	1.25	1.50	1.60	2.00	3.00
550	0.25	0.40	0.50	0.80	1.00	1.25	1.60	2.00	2.50
575	0.25	0.30	0.50	0.75	1.00	1.25	1.50	1.60	2.50
600	0.25	0.30	0.50	0.75	1.00	1.25	1.50	1.60	2.50

For motor control circuits fusing, refer to NEC 430-72.

Secondary Fuse Selection

Secondary Voltage	Encapsulated Transformer Continuous Power Rating (VA)													
	50	75	100	150	200	250	300	375	500	750	1000	1500	2000	3000
Fuse Rating (Amperes)														
12	6.00	10.00	12.00	15.00	20.00	25.00	30.00	—	—	—	—	—	—	—
24	3.00	5.00	6.00	10.00	12.00	12.00	15.00	—	25.00	—	—	—	—	—
36	2.00	3.00	4.00	6.00	8.00	10.00	12.00	—	15.00	—	—	—	—	—
48	1.60	2.50	3.00	5.00	6.00	8.00	10.00	12.00	12.00	—	—	—	—	—
95	0.80	1.25	1.60	2.50	3.00	4.00	5.00	6.00	8.00	12	15	20	25	—
110	0.75	1.00	1.50	2.00	3.00	3.00	4.00	5.00	7.00	10	12	20	25	30
115	0.60	1.00	1.25	2.00	2.50	3.00	4.00	5.00	7.00	10	12	20	20	30
120	0.60	1.00	1.25	2.00	2.50	3.00	4.00	5.00	6.00	10	12	15	20	30
208	0.40	0.60	0.80	1.00	1.60	2.00	2.00	3.00	4.00	6	8	12	15	20
220	0.30	0.50	0.75	1.00	1.50	1.60	2.00	2.50	3.00	5	7	10	12	20
230	0.30	0.50	0.60	1.00	1.25	1.60	2.00	2.50	3.00	5	7	10	12	20
240	0.30	0.50	0.60	1.00	1.25	1.60	2.00	2.50	3.00	5	6	10	12	15

Note: Encapsulated Transformer Continuous Power Rating (VA) 50-1500 are Glass Fuse, 2000-3000 are H/K Fuse.



Transformers

Open Core and Coil Transformers

Machine Tool Applications

Control

Wiring Diagrams

Section 14

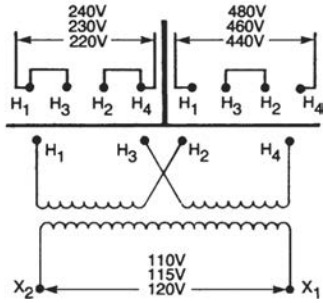


Diagram 1

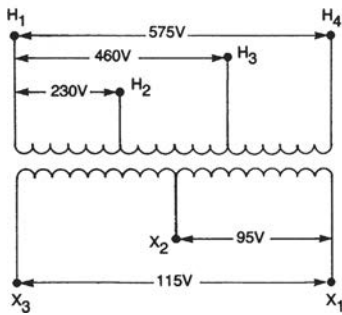


Diagram 2

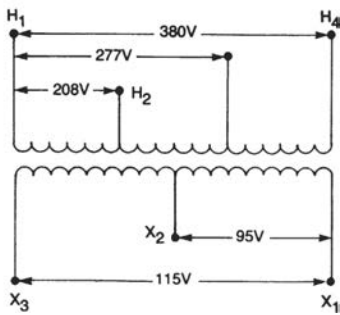


Diagram 3

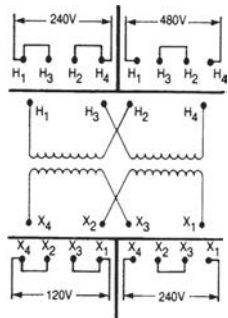


Diagram 4

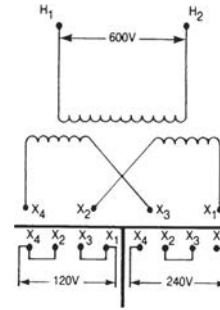


Diagram 5

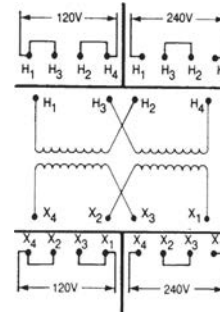


Diagram 6

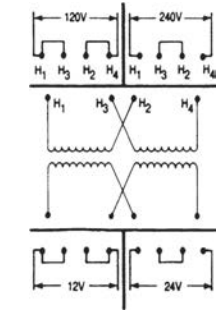


Diagram 7

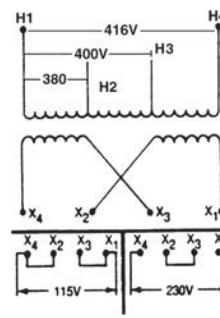


Diagram 8



Transformers

Open Core and Coil Transformers

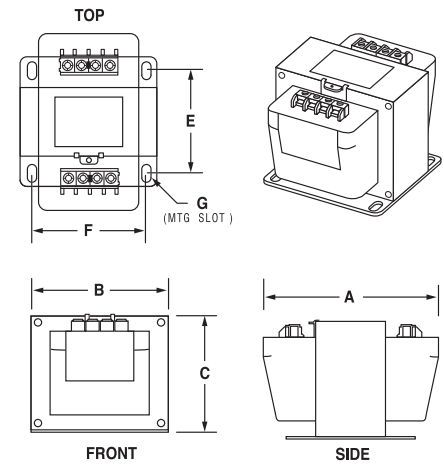
Outlines and Dimensions

6, 8 and 10 Frame

Section 14

Terminal Board Connection Style

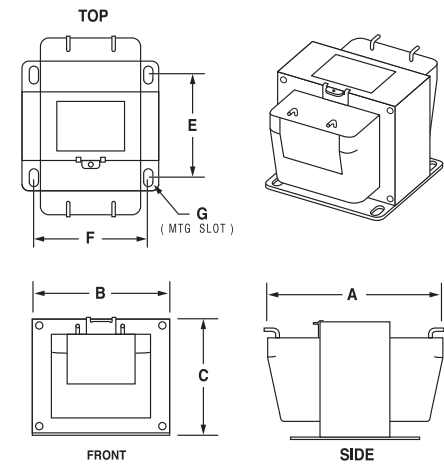
Frame size	KVA	Approx. Net Weight (Lbs.)	A Depth (in.)	B Width (in.)	C Height (in.)	Mounting Depth E (in.)	Mounting Width F (in.)	Mounting Slot (in.)
6100	0.05	2.6	4	3.06	2.68	2.16	2.5	.219 x .750
6125	0.075	3	4.25	3.06	2.68	2.41	2.5	.219 x .750
8100	0.1	3.9	4.12	3.81	3.28	2.16	3.12	.219 x .750
8150	0.15	5.5	4.62	3.81	3.28	2.66	3.12	.219 x .750
8175	0.2	6.3	4.88	3.81	3.28	2.91	3.12	.219 x .750
8200	0.25	7	5.12	3.81	3.28	3.16	3.12	.219 x .750
8250	0.375	8.3	5.62	3.81	3.28	3.66	3.12	.219 x .750
10225	0.5	11.6	5.75	4.56	3.9	3.38	3.75	.297 x .580
12225	0.75	13	5.81	5.31	4.56	3.38	4	.297 x .580
12300	1	17.5	6.56	5.31	4.56	4.13	4	.297 x .580
14225	1.5	29	6.31	6.81	5.81	3.38	5.5	.297 x .580
14300	2	35.5	7.06	6.81	5.81	4.13	5.5	.297 x .580
14475	3	51.5	8.81	6.81	5.81	5.88	5.5	.297 x .580



Terminal Board Connection Style

Leads Out Connection Style

Frame size	KVA	Approx. Net Weight (Lbs.)	A Depth (in.)	B Width (in.)	C Height (in.)	Mounting Depth E (in.)	Mounting Width F (in.)	Mounting Slot (in.)
6100	0.05	2.6	3.25	3.06	2.68	2.16	2.5	.219 x .750
6125	0.075	3	3.5	3.06	2.68	2.41	2.5	.219 x .750
8100	0.1	3.9	3.42	3.81	3.28	2.16	3.12	.219 x .750
8150	0.15	5.5	3.92	3.81	3.28	2.66	3.12	.219 x .750
8175	0.2	6.3	4.18	3.81	3.28	2.91	3.12	.219 x .750
8200	0.25	7	4.42	3.81	3.28	3.16	3.12	.219 x .750
8200	0.3	7	4.42	3.81	3.28	3.16	3.12	.219 x .750
8250	0.375	8.3	4.92	3.81	3.28	3.66	3.12	.219 x .750
10225	0.5	11.6	5.75	4.56	3.9	3.38	3.75	.297 x .580
12225	0.75	13	5.81	5.31	4.56	3.38	4	.297 x .580
12300	1	17.5	6.56	5.31	4.56	4.13	4	.297 x .580
14225	1.5	29	6.31	6.81	5.81	3.38	5.5	.297 x .580
14300	2	35.5	7.06	6.81	5.81	4.13	5.5	.297 x .580
14475	3	51.5	8.81	6.81	5.81	5.88	5.5	.297 x .580



Leads Out Connection Style



Transformers

Open Core and Coil Transformers

CE-Rated

Application

The CE compliant transformer offering developed by GE is of the highest quality. This product is designed to be incorporated into equipment manufactured for sale in the European Community. This product is in conformity with the European Standard: EN 60 742, 1995 per the provisions of the Low Voltage (LV) Directive 73/23/EEC in 1973 as amended by 93/68/EEC in 1995.

The Type "IP" CE offering utilizes all copper windings, which are encapsulated in a hardened epoxy, making the winding impervious to the elements. These designs are rated at 55° C rise with a 40° C ambient. Standard on these designs are touch-proof terminal boards. These provide protection from current carrying terminals for personnel working on the equipment. These designs incorporate customer friendly connection on rugged high-impact molded terminal boards. Besides being CE rated, these designs are both UL and C-UL listed.



CE Compliant Transformer

50/60 Hz

Input Voltage	Output Voltage	KVA	Frame Size	Product Number
230/400 Volts	12/24 Volts	0.025	6100	9T58E0020
230/400 Volts	12/24 Volts	0.05	6150	9T58E0021
230/400 Volts	12/24 Volts	0.075	8100	9T58E0023
230/400 Volts	12/24 Volts	0.1	8150	9T58E0024
230/400 Volts	12/24 Volts	0.15	8200	9T58E0025
230/400 Volts	12/24 Volts	0.2	10225	9T58E0026
230/400 Volts	12/24 Volts	0.25	10225	9T58E0027
230/400 Volts	12/24 Volts	0.3	10225	9T58E0028
230/400 Volts	12/24 Volts	0.375	12225	9T58E0029
230/400 Volts	24/48 Volts	0.025	6100	9T58E0060
230/400 Volts	24/48 Volts	0.05	6150	9T58E0061
230/400 Volts	24/48 Volts	0.075	8100	9T58E0063
230/400 Volts	24/48 Volts	0.1	8150	9T58E0064
230/400 Volts	24/48 Volts	0.15	8200	9T58E0065
230/400 Volts	24/48 Volts	0.2	10225	9T58E0066
230/400 Volts	24/48 Volts	0.25	10225	9T58E0067
230/400 Volts	24/48 Volts	0.3	10225	9T58E0068
230/400 Volts	24/48 Volts	0.375	12225	9T58E0069
230/400 Volts	24/48 Volts	0.5	12300	9T58E0071
230/400 Volts	24/48 Volts	0.75	14225	9T58E0073
220/380, 230/400, 240/415 Volts	110/220, 115/230, 120/240 Volts	0.025	6100	9T58E0150
220/380, 230/400, 240/415 Volts	110/220, 115/230, 120/240 Volts	0.05	6150	9T58E0151
220/380, 230/400, 240/415 Volts	110/220, 115/230, 120/240 Volts	0.075	8100	9T58E0153
220/380, 230/400, 240/415 Volts	110/220, 115/230, 120/240 Volts	0.1	8150	9T58E0154
220/380, 230/400, 240/415 Volts	110/220, 115/230, 120/240 Volts	0.15	8200	9T58E0155
220/380, 230/400, 240/415 Volts	110/220, 115/230, 120/240 Volts	0.2	10225	9T58E0156
220/380, 230/400, 240/415 Volts	110/220, 115/230, 120/240 Volts	0.25	10225	9T58E0157
220/380, 230/400, 240/415 Volts	110/220, 115/230, 120/240 Volts	0.3	10225	9T58E0158
220/380, 230/400, 240/415 Volts	110/220, 115/230, 120/240 Volts	0.375	12225	9T58E0159
220/380, 230/400, 240/415 Volts	110/220, 115/230, 120/240 Volts	0.5	12300	9T58E0161
220/380, 230/400, 240/415 Volts	110/220, 115/230, 120/240 Volts	0.75	14225	9T58E0163
220/380, 230/400, 240/415 Volts	110/220, 115/230, 120/240 Volts	0.1	14300	9T58E0164
220/380, 230/400, 240/415 Volts	110/220, 115/230, 120/240 Volts	0.15	14475	9T58E0165

